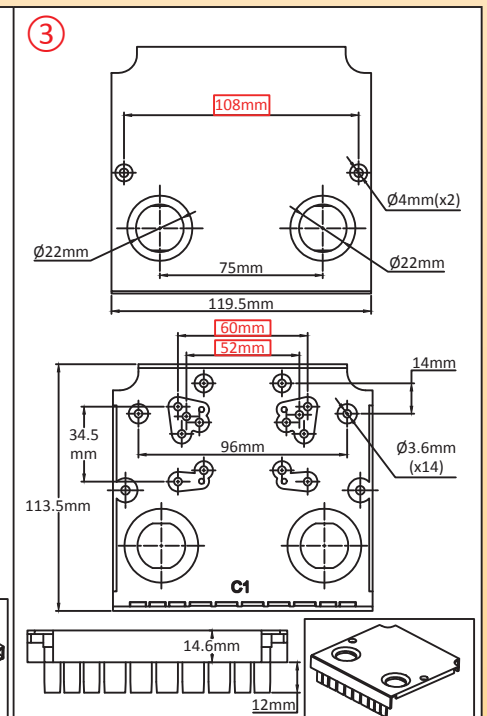
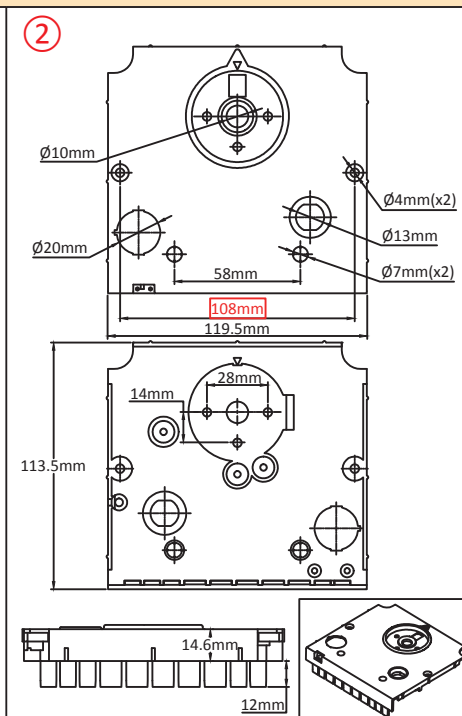
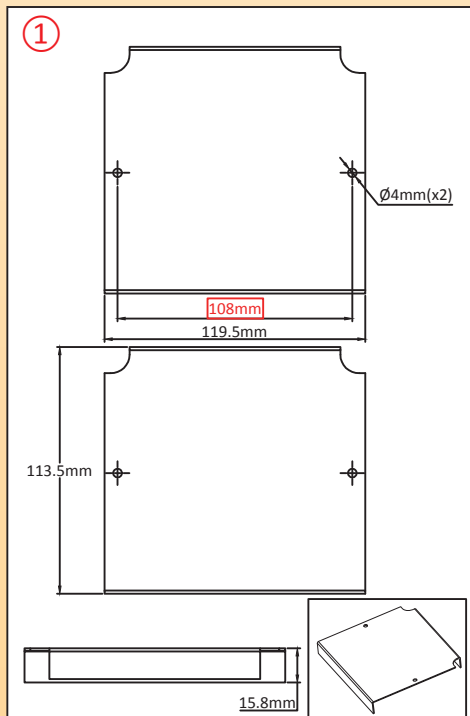
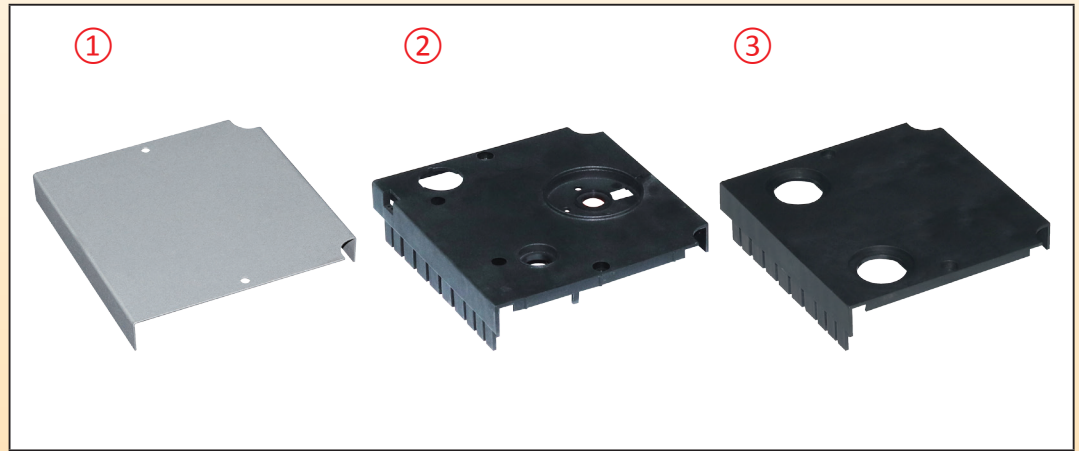


Internal mounting boards for enclosures with controls

Mounting style	Material	Type	Model
Assembly on enclosure with 2 mounting holes at 108 mm distance	PA66 / aluminum	Flat Internal board	6YFB

Compatible with:	
<input checked="" type="checkbox"/> Y3N1	<input checked="" type="checkbox"/> Y3G1
<input checked="" type="checkbox"/> Y3N2	<input checked="" type="checkbox"/> Y3G2
<input checked="" type="checkbox"/> Y3N3	<input checked="" type="checkbox"/> Y3O9
<input checked="" type="checkbox"/> Y3N4	<input checked="" type="checkbox"/> Y3J1
<input checked="" type="checkbox"/> Y3H1	<input checked="" type="checkbox"/> Y3J2
<input checked="" type="checkbox"/> Y3H2	<input checked="" type="checkbox"/> Y310
<input checked="" type="checkbox"/> Y3H3	



Aluminum board. For customer drilling and mounting.

PA66, for thermostat, with hole for fusible holder, on-off switch and 2 pilot lights. No studs for relays.

PA66, 2 holes for 22mm pilot lights, one hole for fusible holder. Studs for relays.

Main references

①	6YFBCALF01
②	6YFBCPAF01
③	6YFBCPAF02

Links

<p>Page (.pdf)</p>	<p>Drawing 2D (.dwg)</p>	<p>Drawing 3D (.stp)</p>
------------------------	----------------------------------	----------------------------------

These mounting boards are provided with removable caps for non-used holes. Ask our engineering department for controls you would like to put on them.

Red dimensions inside rectangular frames on drawings are used for assembly on enclosures or on fittings.

Because of permanent improvement of our products, drawings, descriptions, features used on these data sheets are for guidance only and can be modified without prior advice

